

SPIROL®

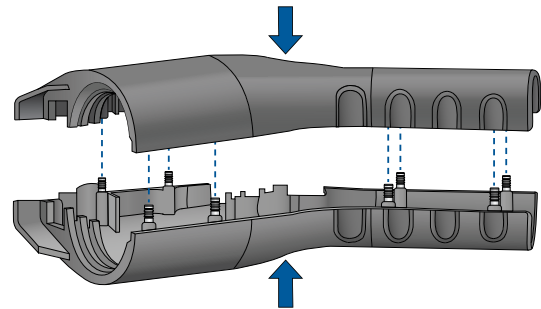
PRESS-N-LOK™ PINS FOR PLASTICS

SPIROL® Series BP100 Press-N-Lok™ Pins

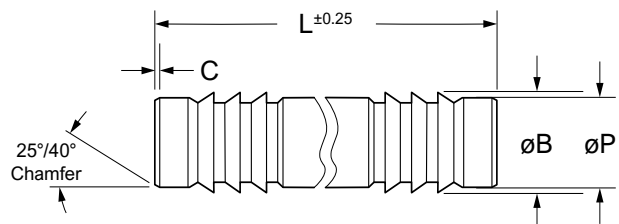
Press-N-Lok™ Pins were designed to permanently retain two plastic components to each other. The raised barbs are angled backwards on the pin, opposite the direction of insertion. Press-N-Lok™ Pins are installed in two stages: First, press the pins into one half of the plastic housing. Next, align the other half of the housing with the exposed pins and press into place. During installation, the plastic will backfill into the area around the barbs resulting in maximum resistance to axial force. Make assembly simple and quick; just Press-N-Lok™!

Advantages

- Permanent / tamper resistant
- Simple & clean installation
- Lightweight & **lead free**
- Corrosion resistant
- Quicker assembly time and lower assembly equipment costs compared to screws and adhesives
- Hidden within the final assembly



Application Example:
Press-N-Lok™ Pins in an Electric Vehicle Charging Handle



DIMENSIONAL DATA — METRIC

Nominal Diameter	Pilot Diameter "P"		Barb Diameter "B"		Barb Count (per side) #	Chamfer Length "C" Min.	Pin Length "L"	Recommended Hole Size	
	Min.	Max.	Min.	Max.				Min.	Max.
2	1.90	2.00	2.25	2.40	2	0.15	8	2.00	2.10
							12		
							16		
3	2.90	3.00	3.25	3.40	3	0.20	12	3.00	3.10
							18		
							24		
							24		
4	3.90	4.00	4.25	4.40	4	0.30	16	4.00	4.10
							24		
							32		

STANDARD MATERIAL A Aluminum

STANDARD FINISH K Plain

- Other lengths available upon request
- Available to order in nickel stainless steel

To Order: SLDP (Pin Size)x(Length)(Material)(Finish)(Series)
Example: SLDP 3 x 12 AK BP100

Contact SPIROL for Design Assistance!
www.SPIROL.com/technical-support



Technical Centres

Europe **SPIROL United Kingdom**
17 Princewood Road
Corby, Northants
NN17 4ET United Kingdom
Tel: +44 (0) 1536 444800
Fax: +44 (0) 1536 203415

SPIROL France
Cité de l'Automobile ZAC Croix Blandin
18 Rue Léna Bernstein
51100 Reims, France
Tel: +33 (0) 3 26 36 31 42
Fax: +33 (0) 3 26 09 19 76

SPIROL Germany
Ottostr. 4
80333 Munich, Germany
Tel: +49 (0) 89 4 111 905 71
Fax: +49 (0) 89 4 111 905 72

SPIROL Spain
Plantes 3 i 4
Gran Via de Carles III, 84
08028, Barcelona, Spain
Tel/Fax: +34 932 71 64 28

SPIROL Czech Republic
Evropská 2588 / 33a
160 00 Prague 6-Dejvice
Czech Republic
Tel: +420 226 218 935

SPIROL Poland
ul. Solec 38 lok. 10
00-394, Warsaw, Poland
Tel. +48 510 039 345

Americas **SPIROL International Corporation**
30 Rock Avenue
Danielson, Connecticut 06239 U.S.A.
Tel. +1 860 774 8571
Fax. +1 860 774 2048

SPIROL Shim Division
321 Remington Road
Stow, Ohio 44224 U.S.A.
Tel. +1 330 920 3655
Fax. +1 330 920 3659

SPIROL Canada
3103 St. Etienne Boulevard
Windsor, Ontario N8W 5B1 Canada
Tel. +1 519 974 3334
Fax. +1 519 974 6550

SPIROL Mexico
Avenida Avante #250
Parque Industrial Avante Apodaca
Apodaca, N.L. 66607 Mexico
Tel. +52 81 8385 4390
Fax. +52 81 8385 4391

SPIROL Brazil
Rua Mafalda Barnabé Soliane, 134
Comercial Vitória Martini,
Distrito Industrial,
CEP 13347-610, Indaiatuba, SP, Brazil
Tel. +55 19 3936 2701
Fax. +55 19 3936 7121

Asia Pacific **SPIROL Asia Headquarters**
1st Floor, Building 22, Plot D9, District D
No. 122 HeDan Road
Wai Gao Qiao Free Trade Zone
Shanghai, China 200131
Tel: +86 (0) 21 5046-1451
Fax: +86 (0) 21 5046-1540

SPIROL Korea
16th Floor, 396 Seocho-daero,
Seocho-gu, Seoul, 06619, South Korea
Tel: +82 (0) 10 9429 1451

e-mail: info-uk@spirol.com

SPIROL.co.uk



Coiled Spring Pins



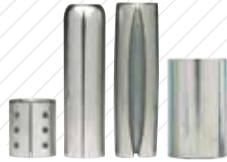
Slotted Spring Pins



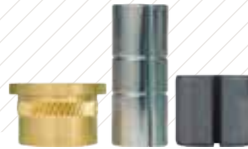
Solid Pins



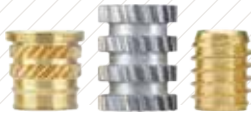
Alignment Dowels /
Bushings



Spacers & Rolled
Tubular Components



Compression
Limiters



Threaded Inserts
for Plastics



Railroad Nuts



Disc Springs



Precision Shims &
Thin Metal Stampings



Precision Washers



Parts Feeding
Technology



Pin Installation
Technology



Insert Installation
Technology



Compression Limiter
Installation Technology

Please refer to www.SPIROL.co.uk for current specifications and standard product offerings.

SPIROL offers complimentary Application Engineering support! We will assist on new designs as well as help resolve issues, and recommend cost savings on existing designs. Let us help by visiting **Application Engineering Services** on SPIROL.co.uk.